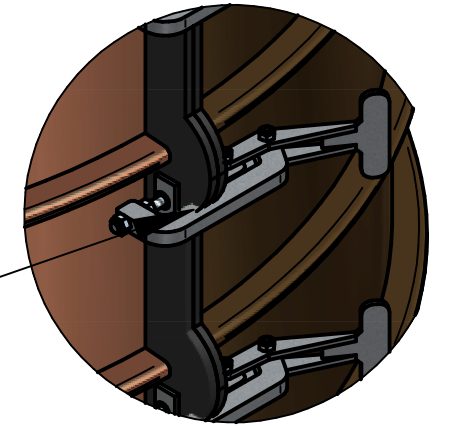


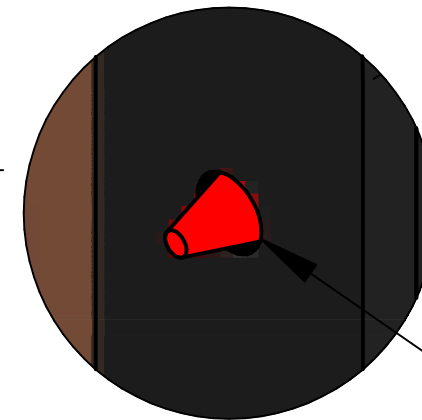
DETAIL VIEW A

Ventilation



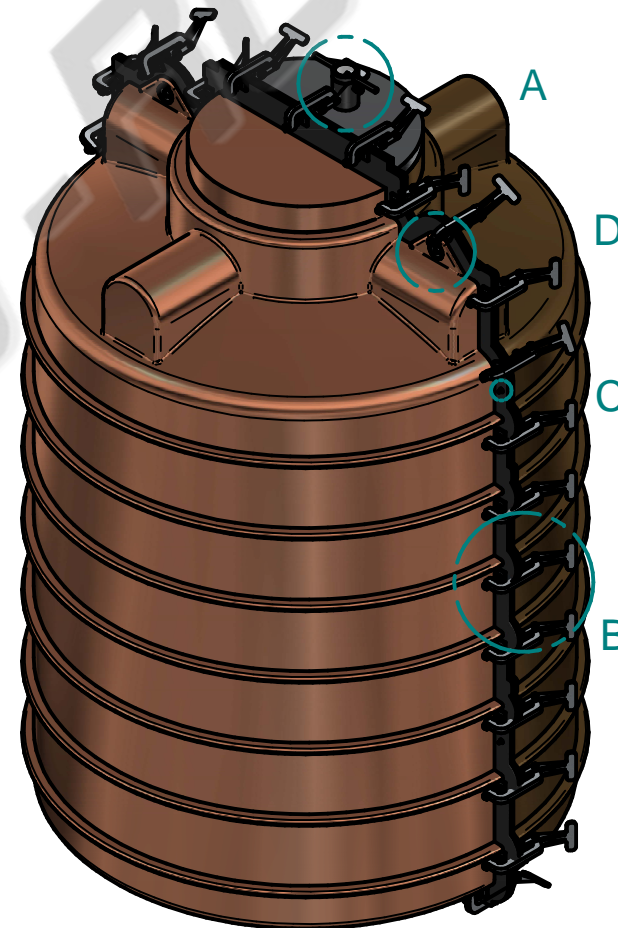
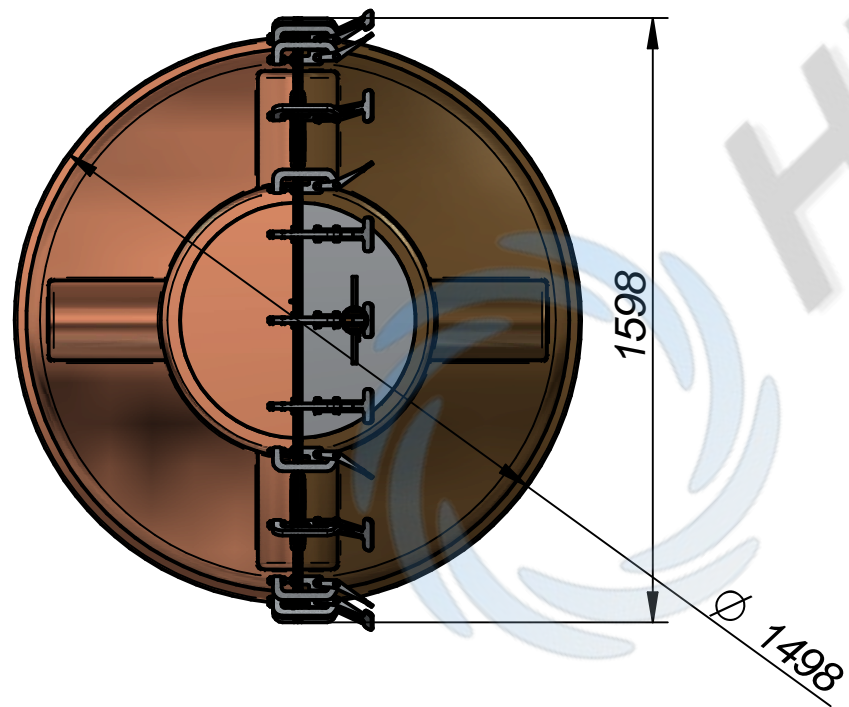
DETAIL VIEW B

Clamp

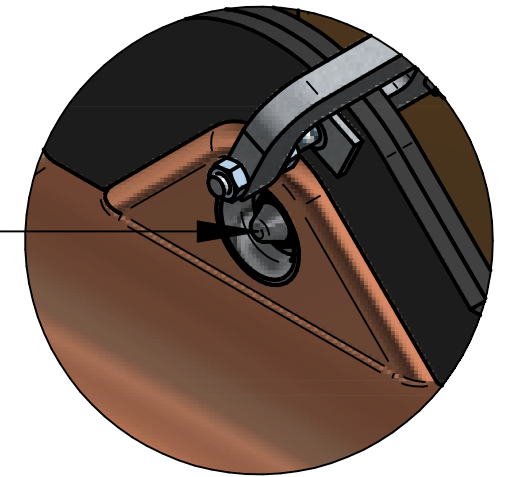


DETAIL VIEW C

Location pin



Lifting Eye Insert



DETAIL VIEW D



Weight: 376.5 kg

2500 Vertical Mold